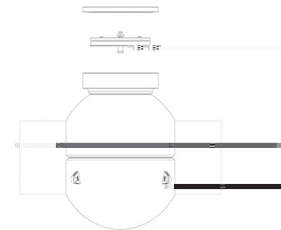
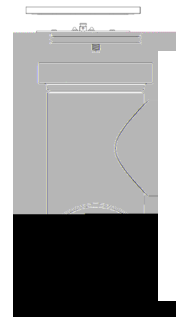
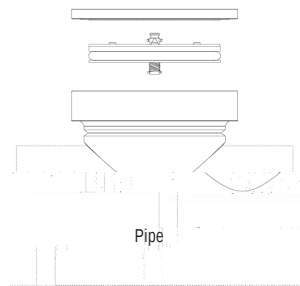
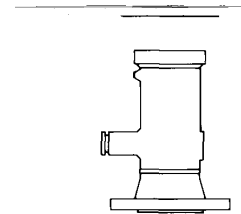
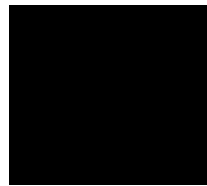


Plugging

Optional



ProStopp



Tapping and ProStopp™ DS

Equipment Needed to Plug a , !]bW Gas Main to &+) psi
CE Compliant and Compatible for Thin Wall Applications

Tapping

Plugging

Jackscrew Actuator

Tapping and ProStopp™ DS

Ein Ne 0 Pg a LQFGa Ma 0 p

f% LQUBKJingig% LQVikayh

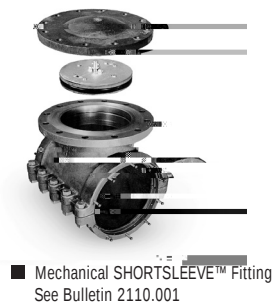
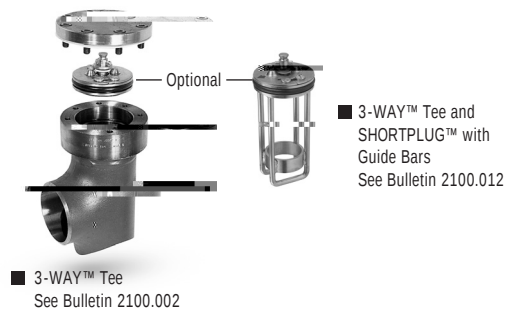
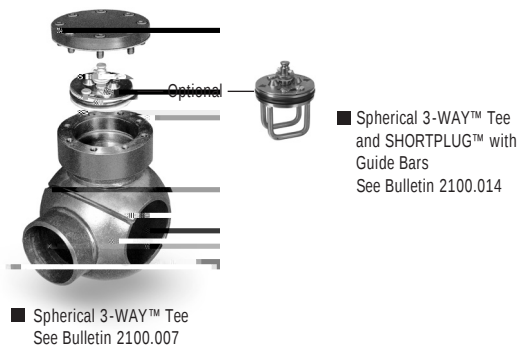
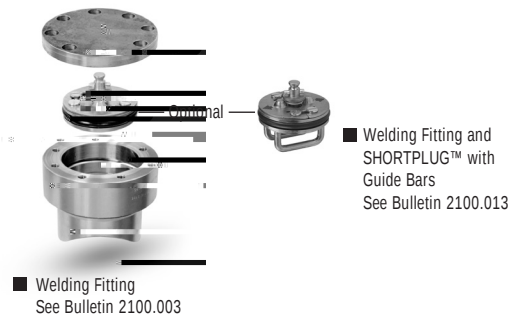
& (R P S O D Q Q W S D W R U K O G S S O L F D W L R Q V

Plugging

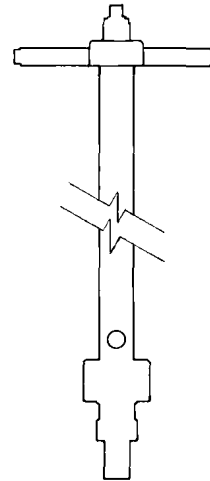
Jackscrew Actuar

ProStoppDS

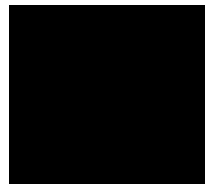
L Gas Main to psi



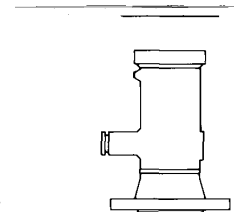
Completion



SHORTSTOPP® Plugging/
Completion Machine
Reference Bulletin
2020.002
07-1034-0000



Completion Plug Holder
07-0335-0000



Note: Consult your TDW representative for

7 D S S L Q J D Q G 3 U R 6 W R S S ã ' 6

Equipment Needed to Plug a L Gask Main to psi

& (& P S O D Q Q W S D W R U K O G S S O L F D W L R Q V

Tapping

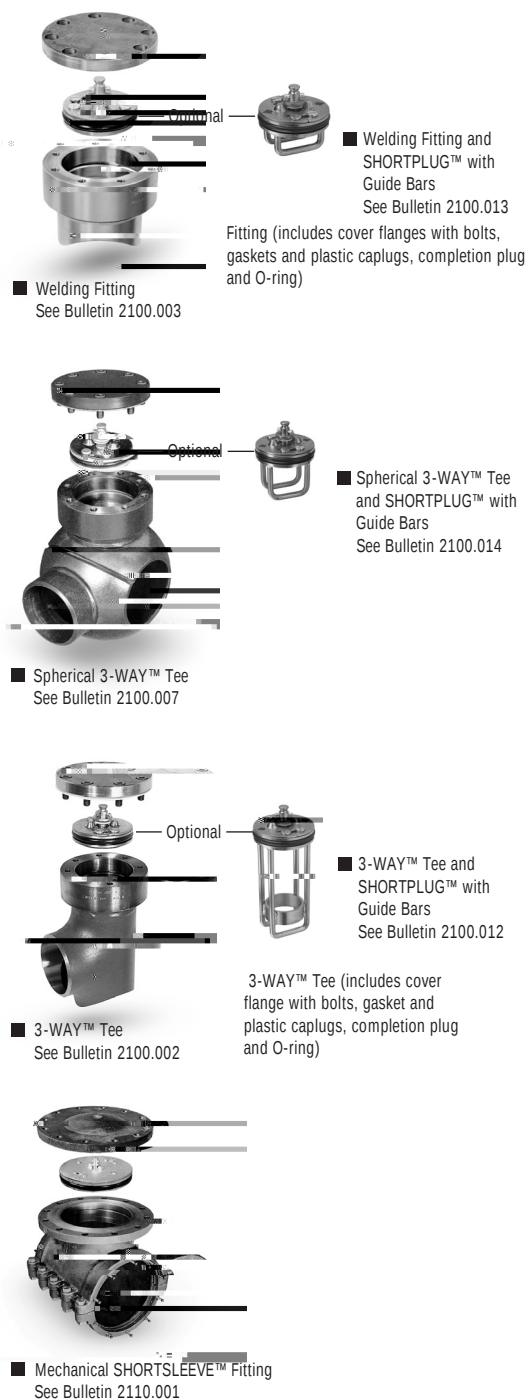
Plugging

Jackscrew Actuator



ProStopp DS

12-inch Gas Main to 150 psi



Completion

